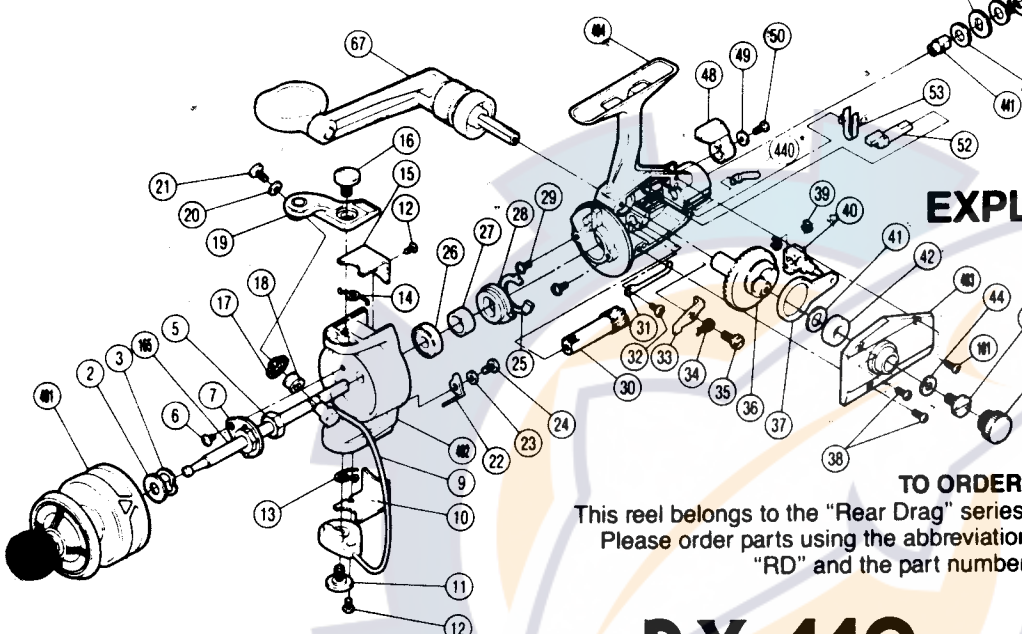
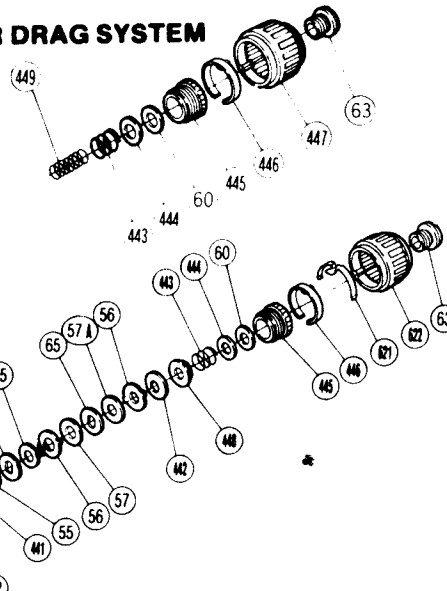


1987 REPAIR MANUAL

Shimano American Corporation, One Shimano Dr.
 Irvine, CA 92718

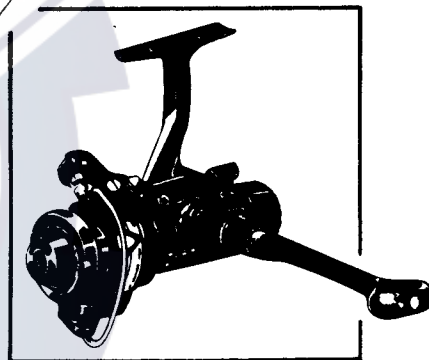
OLDER DRAG SYSTEM



EXPLODED PARTS VIEW

TO ORDER:

This reel belongs to the "Rear Drag" series.
 Please order parts using the abbreviation
 "RD" and the part number.



RX-110

PARTS LIST

PART# DESCRIPTION

- 2. Spool Spacer
- 3. Tension Spring
- 5. Rotor Nut
- 6. Nut Lock Screw
- 7. Rotor Nut Lock
- 9. Bail Wire
- 10. Trip Lever Cover
- 11. Bail Wire Screw
- 12. Trip Cover Screw
- 13. Trip Lever Spring
- 14. Bail Spring
- 15. Bail Spring Cover
- 16. Trigger Screw
- 17. Line Guide Spacer
- 18. Roller Line Guide
- 19. QuickFire Trigger
- 20. Guide Screw Lock Washer
- 21. Bail Wire Screw
- 22. Trip Lever
- 23. Trip Lever Spacer
- 24. Trip Lever Screw
- 25. Anti Reverse Lock out
- 26. Ball Bearing
- 27. Bearing Spacer
- 28. Self Center Ratchet

PART# DESCRIPTION

- 29. Bearing Retainer Screw
- 30. Pinion Gear
- 31. Drag Click Spring
- 32. Multi Purpose Screw
- 33. Anti Reverse Dog
- 34. Anti Reverse Dog Spring
- 35. Anti Reverse Dog Screw
- 36. Drive Gear
- 37. Oscillation Guide
- 38. Side Plate Screw #1
- 39. "C" Lock
- 40. Oscillation Guide Block
- 41. Thrust Washer
- 42. Drive Gear Bushing
- 44. Handle Screw Lock Washer
- 45. Handle Screw
- 46. Dust Cap
- 48. Anti Reverse Lever
- 49. Lock Washer
- 50. Anti Reverse Lever Screw
- 52. Anti Reverse Shaft
- 53. Anti Reverse Shaft Spring
- 55. Drag Washer A
- 56. Keyed Washer #1
- 57. Drag Washer (Black)

PART# DESCRIPTION

- 57A. Drag Washer (White)
- 60. Friction Washer
- 63. Drag Screw
- 64. Ratchet Washer
- 65. D Washer
- 67. Handle
- 101. Side Plate Screw #2
- 165. Spindle
- 401. Spool
- 402. Rotor
- 403. Side Plate
- 404. Housing
- 440. Drag Knob Click Spring *
- 441. Drag Shaft
- 442. Spring Washer
- 443. Drag Spring
- 444. Base Spring Washer
- 445. Spring Housing
- 446. Stop Ring
- 447. Drag Adjusting Knob
- 448. Lock Washer
- 449. Lock Spring
- 621. Drag Knob Click Spring ('85)
- 622. Drag Knob ('85)

Prices and specifications subject to change without notice

JUNE 1986

* not on reels with part #621